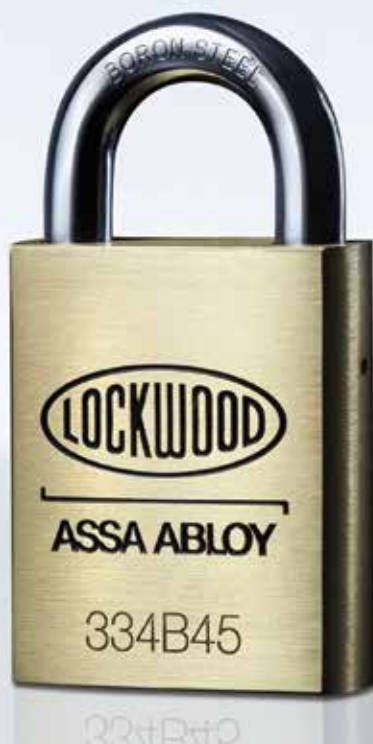


# High Security Padlocks

## 334B Series Brass Body Padlocks



The Lockwood 334 Series Brass Body Padlock range features shackles suitable for commercial and industrial high security and high corrosion applications.

### Features

- Double ball locking
- Stainless steel shackle models
- Standard as latching function
- Can be converted to deadlocking (key retained) by simply relocating the cam plate pin in the cylinder assembly
- Rapid change shackle

### Product Details

#### Materials

Body: Heavy duty, brass extrusion.  
Shackle: Boron steel.

#### Function

Spring loaded shackle, available with latching function where the key can be removed with the shackle in the open position (L) or deadlocking function where the key is retained and can only be removed with the shackle in the locked position (D).

#### Finish

Body: Natural material.  
Shackle: Chrome plate.

#### Cylinder

Rekeyable 334 type padlock cylinder. Inline pin cylinders can be keyed to 5 or 6 pins.

#### Shackles

8.7mm diameter, 19, 25, 38, 48 & 90mm lengths.

#### Special Keying

Locks can be keyed to a number of controlled and / or specially keyed systems. These range from legally protected keys to protect against unauthorised duplication and can also include specially designed keying systems such as master key systems. This allows for different levels of mechanical access control.

Bulk Locksmiths versions are available.

**Note:** Custom marking is available. Pricing and availability on application.

### Standards and Compliance

## SP5-7

Physical Security grades are employed for padlocks. These grades are defined in part by the effective differs and key combinations. Padlocks Physical Security (SP) grade range from 5-7.

#### Corrosion Resistance

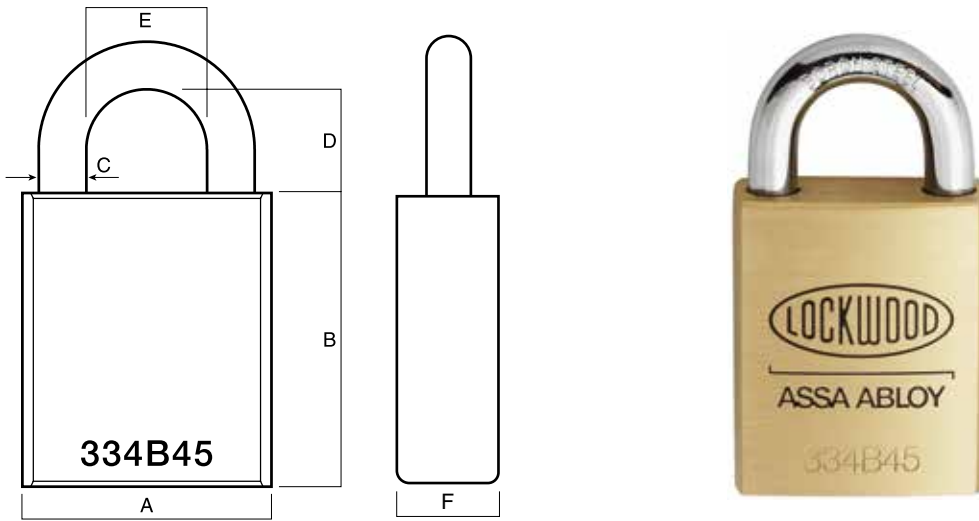
**Rating C4:** Environments that are often wet and/or subject to slight pollution by sulphur dioxide, acid, alkali or salt, including some particularly damp interiors and the majority of exterior environments.



Designed and tested to the Australian Padlock Standard AS4145.4 2002 and are rated for both security and corrosion resistance.

# High Security Padlocks

## 334B Series Brass Body Padlocks



### Specifications

#### Dimensions (mm)

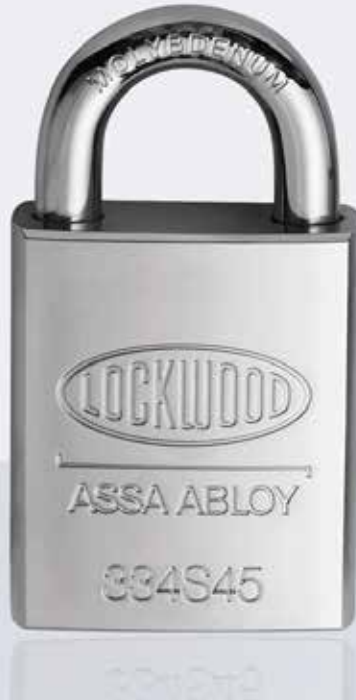
Part Number	A	B	C	D	E	F	Physical Security Rating	Corrosion Resistance Rating
334B45/119	45	55	8.7	19	22	20	SP7	C4
334B45/125	45	55	8.7	25	22	20	SP6	C4
334B45/138	45	55	8.7	38	22	20	SP6	C4
334B45/148	45	55	8.7	48	22	20	SP6	C4
334B45/190	45	55	8.7	90	22	20	SP5	C4

### Available Pack Variations

Part Number	NDP	RKA	BK	5KA	5KD	6KA	6KD	6MK
334B45			•	•	•	•	•	•
334B45/119	•	•	•	•	•	•	•	•
334B45/125			•	•	•	•	•	•
334B45/138	•		•	•	•	•	•	•
334B45/148	•		•	•	•	•	•	•
334B45/190	•			•	•	•	•	•

# High Security Padlocks

## 334 Series Steel Body Padlocks



The Lockwood 334 Steel Series Padlock range features shackles suitable for commercial and industrial high security and high corrosion applications offering added protection against attack.

### Features

- Double ball locking
- Standard as latching function
- Can be converted to deadlocking (key retained) by simply relocating the cam plate pin in the cylinder assembly

### Product Details

<b>Materials</b>	Body: Steel. Shackle: Molybdenum steel.
<b>Function</b>	Spring loaded shackle, available with latching function where the key can be removed with the shackle in the open position (L) or deadlocking function where the key is retained and can only be removed with the shackle in the locked position (D).
<b>Finish</b>	Body: Chrome plate. Shackle: Chrome plate.
<b>Cylinder</b>	Rekeyable 334 type padlock cylinder. Inline pin cylinders can be keyed to 5 or 6 pins.
<b>Shackles</b>	8.7mm diameter, 19, 25, 38, 48 & 90mm lengths.
<b>Special Keying</b>	Locks can be keyed to a number of controlled and / or specially keyed systems. These range from legally protected keys to protect against unauthorised duplication and can also include specially designed keying systems such as master key systems. This allows for different levels of mechanical access control.  Bulk Locksmiths versions are available.

**Note:** Custom marking is available. Pricing and availability on application.

### Standards and Compliance

## SP6-8

Physical Security grades are employed for padlocks. These grades are defined in part by the effective differs and key combinations. Padlocks Physical Security (SP) grade range from 6-8.

### Corrosion Resistance

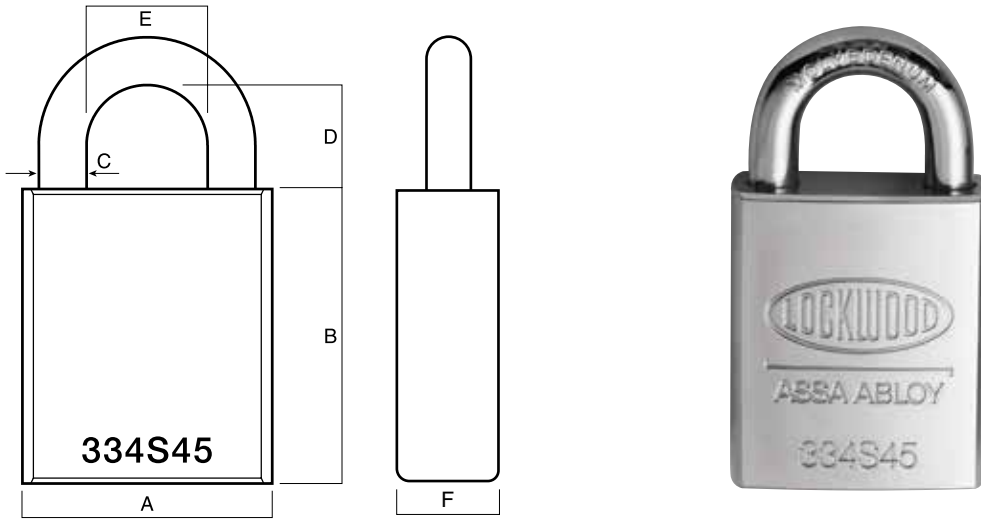
**Rating C4:** Environments that are often wet and/or subject to slight pollution by sulphur dioxide, acid, alkali or salt, including some particularly damp interiors and the majority of exterior environments.



Designed and tested to the Australian Padlock Standard AS4145.4 2002 and are rated for both security and corrosion resistance.

# High Security Padlocks

## 334 Series Steel Body Padlocks



### Specifications

#### Dimensions (mm)

Part Number	A	B	C	D	E	F	Physical Security Rating	Corrosion Resistance Rating
334S45/519	45	55	8.7	19	22	20	SP8	C4
334B45/138	45	55	8.7	38	22	20	SP7	C4
334B45/148	45	55	8.7	48	22	20	SP7	C4
334B45/190	45	55	8.7	90	22	20	SP6	C4

### Available Pack Variations

Part Number	NDP	BK	5KA	5KD	6KA	6KD	6KA	6KD	6MK
334S45		•	•	•	•	•	•	•	•
334S45/519		•	•	•	•	•	•	•	•
334S45/538	•	•	•	•	•	•	•	•	•
334S45/548		•	•	•	•	•	•	•	•
334S45/590			•	•	•	•	•	•	•